

PH3305-1

Paper Holder w/o Cover

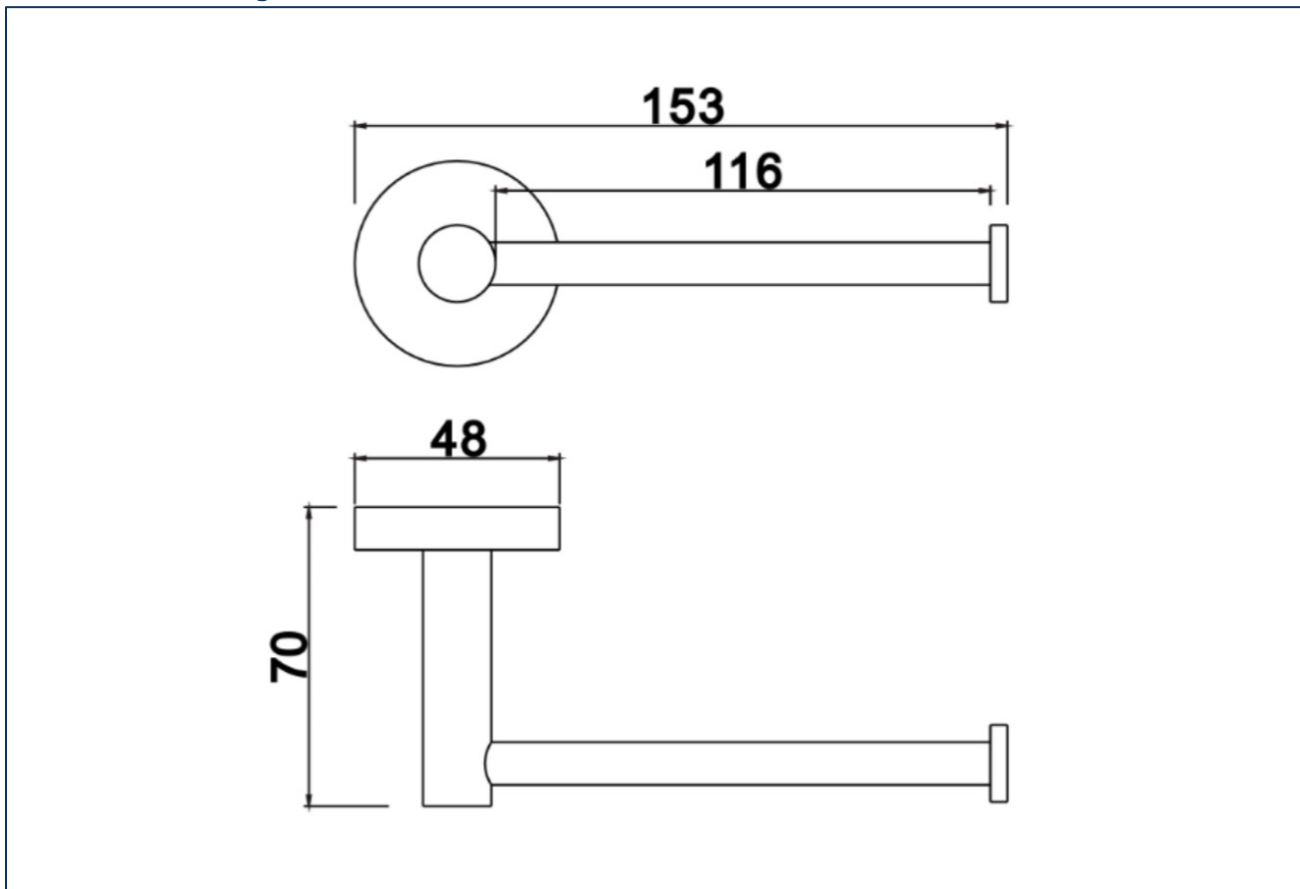


Product Specification

- Dimension : 153(L) x 70(W) x 48(H)mm
- Material : Brass Chrome



Technical Drawing



Copyright © Rigel Technology (S) Pte Ltd All rights reserved.

Rev	1.0
Date	01.11.2021

DISCLAIMER : While every effort has been made to ensure factual accuracy, the information presented is subject to changes due to requirements in different sites, markets and / or countries. Rigel reserves the right to make the necessary amendments at any time without prior notice.