

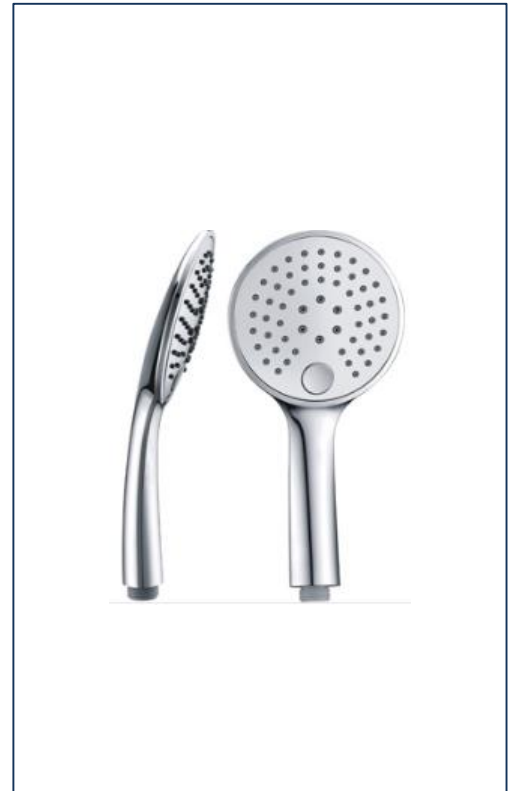
# HSW30801

## HAND SHOWER

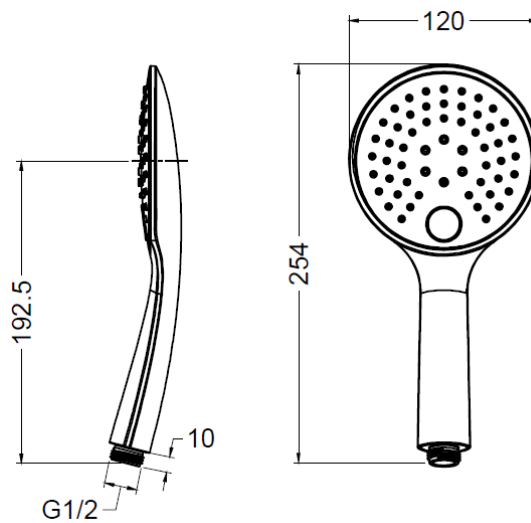


### Product Specification

- Dimension : 120(L) x 254(H) mm
- Material, finishing : ABS, chrome



### Technical Drawing



Copyright © RIGEL TECHNOLOGY (S) PTE LTD All rights reserved. Terms of Use.

AdvanceLiving

Rev	0.1
Date	09.02.2022

**DISCLAIMER** : While every effort has been made to ensure factual accuracy, the information presented is subject to changes due to requirements in different sites, markets and / or countries. Rigel reserves the right to make the necessary amendments at any time without prior notice.