

## Undercounter Lavatory

### Product Features

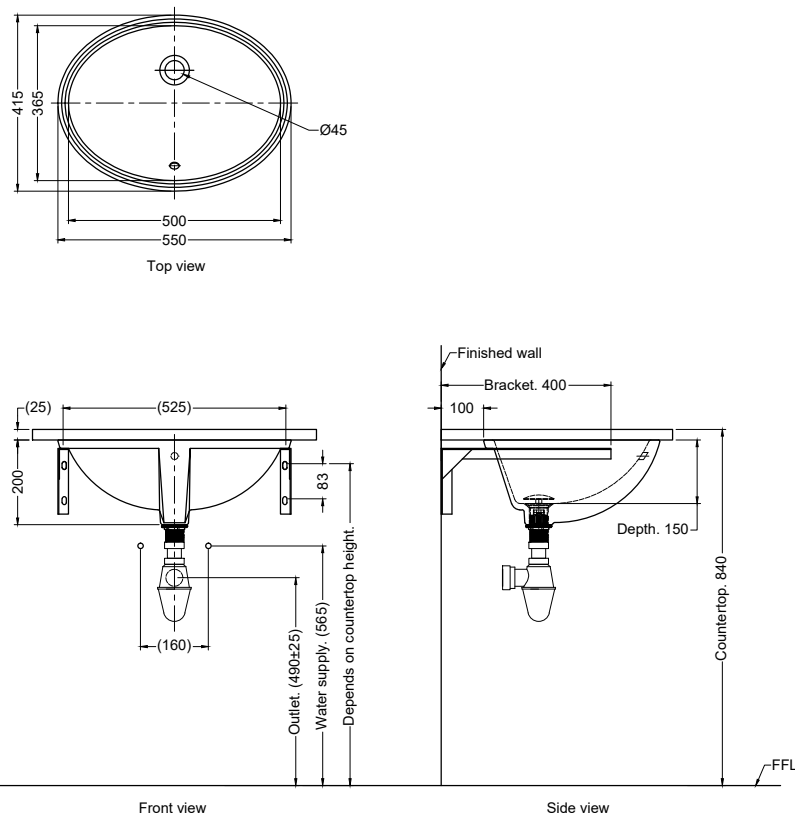
- High gloss surface finishing
- Easy to clean surface profile

### Product Specification

- Installation type : Undercounter
- Dimension : 550(L) x 415(W) x 200(H)mm
- Material : Vitreous China



### Technical Drawing



Use template for countertop opening  
 ( ) Denotes recommended value.  
 All dimension in mm.

Copyright © Rigel Technology. (S) Pte Ltd All rights reserved.

Rev	2.0
Date	23.02.2021

**DISCLAIMER :** While every effort has been made to ensure factual accuracy, the information presented is subject to changes due to requirements in different sites, markets and / or countries. Rigel reserves the right to make the necessary amendments at any time without prior notice.