

CUSTOMER SUPPORT

AFTER SALES SERVICE

Rigel's Customer Support Team can provide you with service visits, sale of spare parts, and general product help and advise.

SPARE PARTS

Spare parts for all Rigel products are available for up to 10 years after the product's date of final manufacture. You should only purchase spare parts directly from our Customer Support Department, or from Rigel's approved stockists or merchants to ensure authenticity and to maintain validity of your warranty.

NOTE

As a safety precaution, spare parts that require exposure to voltage from the power grid mains will only be sent to qualified personnel.

SERVICE GUARANTEE

All servicing provided by Rigel will be performed by a trained technician or agent, with genuine spare parts, and will come with a 6-month warranty on the repair. Servicing outside of the product's warranty will be charged at a reasonable cost.

CONTACT US

RIGEL TECHNOLOGY (S) PTE LTD
RIGEL INNOVATION CENTRE (HEADQUARTER & SHOWROOM)
20 Changi Business Park Central 2 Singapore 486031

Tel: (65) 6812 6288

Fax: (65) 6812 6388

Office Working Hours : 8:30am - 5:30pm (Monday to Friday)

E-mail: sales@rigel-group.com

Website: www.rigel.com.sg

RIGEL TECHNOLOGY (M) SDN BHD
Wisma Rigel, 16 & 18, Jalan 3 / 33B, MWE Commercial Park, 6 1/2 Miles, Off Jalan Kepong, 52000
Kuala Lumpur, Malaysia

Tel: (603) 6258 6016

Fax: (603) 6258 5498

Office Working Hours: 8:30am - 6.00pm (Monday to Friday)

E-mail: sales@rigel.com.my

Website: www.rigel.com.my

RIGEL TECHNOLOGY (NINGBO) CO. LTD
No 6, Chuangye Road, West Of Bonded Zone, Beilun, Ningbo, Zhejiang, China

Tel: (86) 574 5626 1688

Fax: (86) 574 5626 1588

RIGEL TECHNOLOGY CERAMICS (SICHUAN) CO. LTD
Shuanghechang, Anfu Town, Naxi District, 646300 Luzhou City, Sichuan, China

Tel: (86) 830 4270 155

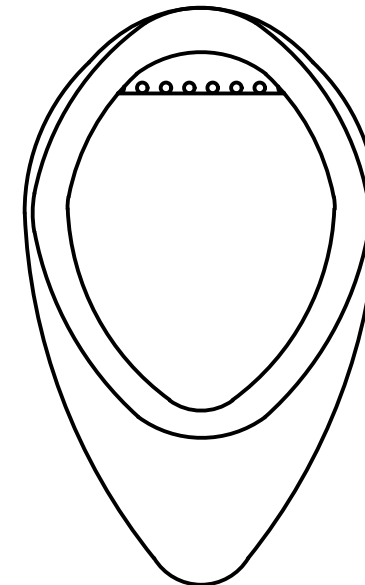
Fax: (86) 830 4270 636

RIGEL®

INSTRUCTION MANUAL

RL-UH03BP / TP

Wall Hung Urinal Back Inlet / Top Inlet



IMPORTANT SAFETY INFORMATION

The instructions contained herein are for the safe and correct use, care and maintenance of the product, to minimize the risk of injury and damage to yourself, other persons, or property.

Please read the following safety information thoroughly and retain this document for future use and reference.



WARNING

Instructions accompanied by this symbol could lead to death or serious injury if they are ignored or followed improperly.

IMPORTANT SAFETY, INSTALLATION AND OPERATING INSTRUCTIONS

Please read this manual and ensure that you understand the instructions and procedures stated within before installing or operating the product.

Rigel products have been designed and tested to be safe and risk-free when installed, operated and maintained in good working order, in accordance with the instructions and recommendations found in this document.

There are no user-serviceable parts in this product. Please contact a qualified and licensed trades person should the product require dismantling and/or repairs.

Supervision should be given to any persons who may have difficulty understanding or operating the controls of the product. Extra consideration should be given to the young, infirm, elderly, or any person inexperienced in the correct operation of the product's controls.

DISCLAIMER

While every effort has been made to ensure that the information contained within this document was accurate and complete at the time of printing, Rigel Technology (S) Pte Ltd shall not be held responsible for any errors, omissions or inaccuracies. By installing or using the product, the user agrees that no responsibility for the consequences resulting from any misinformation shall be incurred on Rigel Technology (S) Pte Ltd. Rigel Technology (S) Pte Ltd reserves the right to change the specifications and functions of the product described herein at any time without prior notice.

No part of this guide may be reproduced, stored in a retrieval system, or transmitted, in any form or by any means, electronic, mechanical, recording, or otherwise, without the prior written permission of Rigel Technology (S) Pte Ltd.

WARRANTY

Please read the following warranty information thoroughly and retain this document for future use and reference.

Rigel Technology (S) Pte Ltd ("Rigel") warrants the products against any defect of materials or workmanship for a period of 1 year from the date of purchase.

Within the warranty period, all defective parts will be repaired and/or replaced free of charge.

To be eligible for free repair and/or replacement, any service work on the product must be undertaken by Rigel or our approved agents.

Service under this warranty will not affect the warranty expiry date, and any warranty on exchanged parts or products will end when the warranty expires.

This warranty is only applicable for products properly installed and operated in accordance to the operating procedures stated in the instruction manual.

This warranty does not extend to washroom accessories or other peripheral items.

Rigel's responsibility under this warranty does not apply to damage/defects caused by:

- Misuse, negligence, or accidents.
- Public abuse or vandalism.
- Repairs or alterations not authorized by or performed without consultation from Rigel.
- Repairs or alterations that do not comply with Rigel's installation instruction.
- Repairs or alterations that were not performed with genuine parts supplied by Rigel.

Rigel will not be held liable for any incidental or consequential damages, including loss of profits or savings, arising from the use or misuse of the products.

The terms in this warranty are only valid after:

- Full payment has been made.
- The official Warranty Card is completely and correctly filled out in ink and returned to Rigel within 14 days of purchase. Loss or misplacement of the Warranty Card, or unauthorized amendments to the Warranty Card, shall render the warranty null and void.

This warranty is in addition to your statutory and other legal rights.

TROUBLE SHOOTING GUIDE

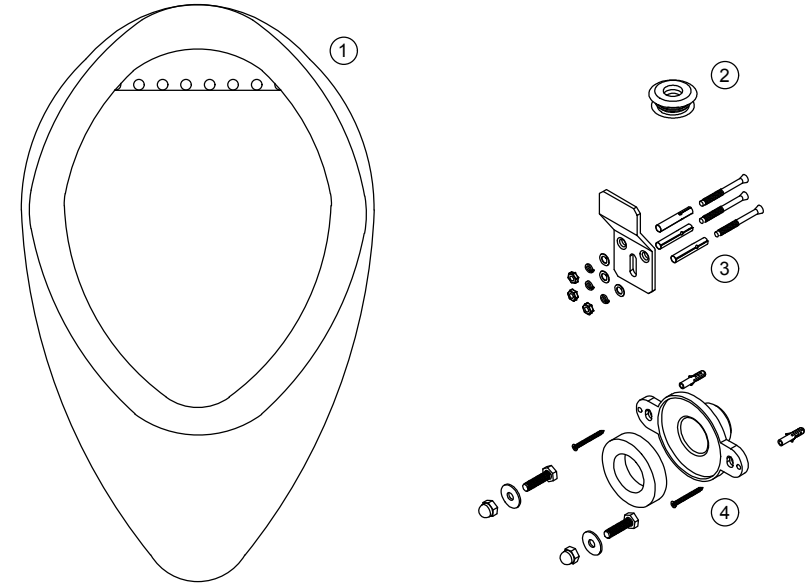
OUT-OF-BOX FAILURE

If the product does not function as specified or reasonably expected upon first use after installation, please contact your contractor or trades person to check if the installation and commissioning are performed satisfactorily and in accordance with the instructions in the Installation Manual. You or your installer may contact Rigel for any advise and we will be glad to be of assistance. Should this still not resolve the issue, please contact our Customer Support Department and we will arrange for a visit by a Rigel service technician if necessary.

PERFORMANCE DECLINE

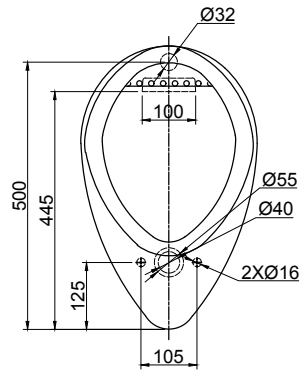
If the product is exhibiting a noticeable decline in performance after substantial use, please refer to the Product Care and Cleaning section of this Manual to check if simple home maintenance is required. Should product performance not improve after simple home maintenance is performed as per the instructions in the Product Care and Cleaning section, please contact our Customer Support Department to discuss the issue you are facing, and to request for service under warranty if applicable.

PART LIST & ILLUSTRATIONS - UH03BP

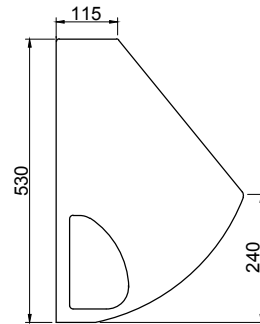


NO.	PART NO.	DESCRIPTION	QTY
①	RMR-UH03BP	WALL HUNG URINAL	1
②	FT-BSHUR3018	RUBBER BUSH	1
③	FT-BRK1050	WALL BRACKET	1
④	FT-FLGUH03	FLANGE BRACKET WITH SCREWS SETS	1

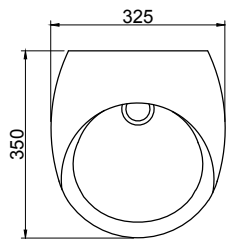
PRODUCT DIMENSIONS - UH03BP



Front view



Side view



Top view

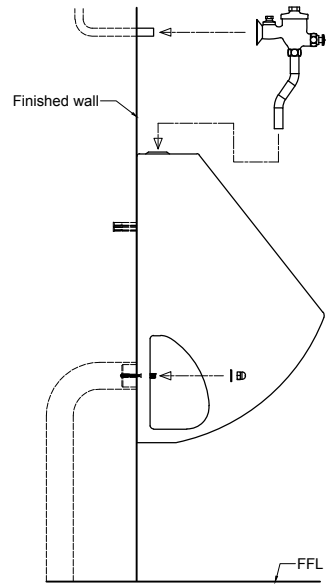
All dimensions in mm.

GENERAL SPECIFICATIONS

MODEL	UH03BP & UH03TP
DIMENSION	325(L) X 350(W) X 530(H)mm
MINIMUM SUPPLY PRESSURE	103kPa (Flowing)
DISCHARGE VOLUME	1.0L ~ 2.0L

INSTALLATION GUIDE - UH03TP

3.

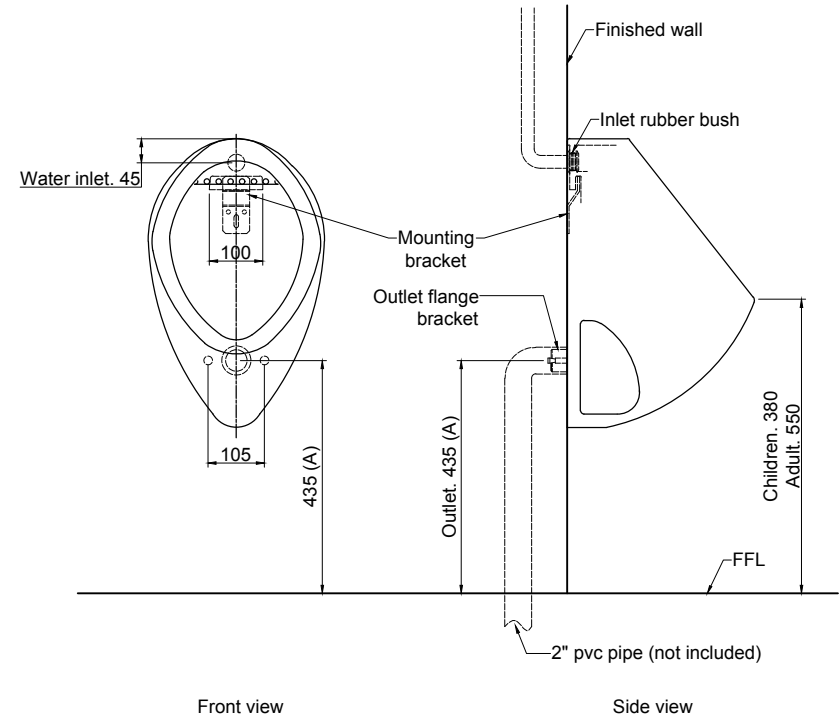


Fastened the ware with washer & nuts.

Flush valve mounting height refer to selected flush valve installation diagram.

Apply silicone gel along the edges of the pan to seal up all gaps.

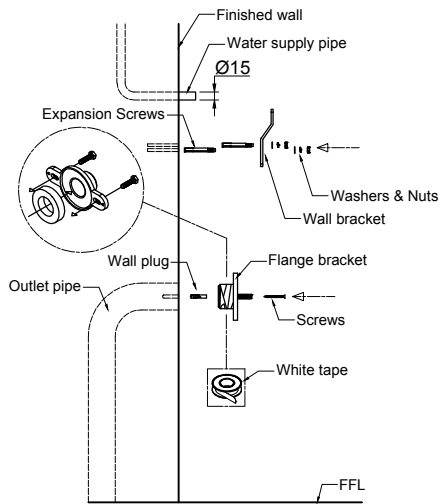
INSTALLATION DIAGRAM - UH03BP



Flush valve mounting height refer to selected flush valve installation diagram.
 (*)Denotes recommended value.
 All dimension are in mm.

INSTALLATION GUIDE - UH03BP

1.



Mark'up the trap distance and mounting holes with reference from the wall.

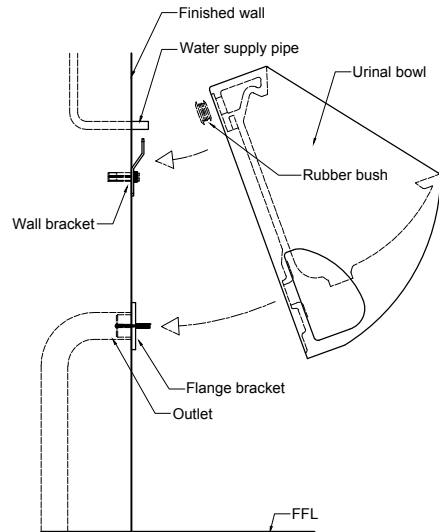
Double check the water inlet height and bracket mounting height which can be found in technical drawing (pg.04) to ensure position fit to the ware.

Cover the flange bracket outlet with white tape to ensure it fits to the outlet pipe firmly.

Mount up expansion screw, flange bracket in position.

Fasten the wall bracket with washers & nuts.

2.

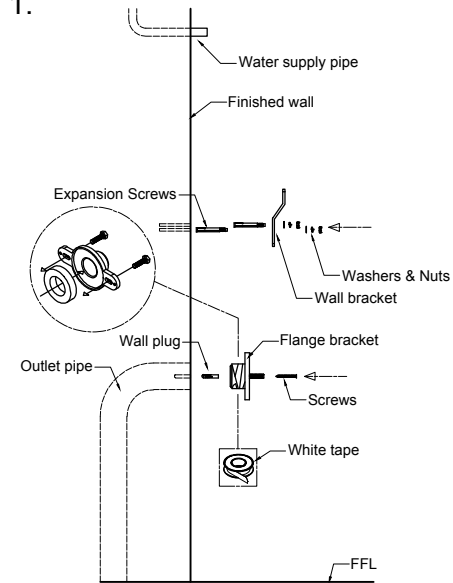


Insert the rubber bush into the ware inlet.

Align the ware with the piping and mount the urinal bowl onto the wall bracket, press it against the wall slowly.

INSTALLATION GUIDE - UH03TP

1.



Mark'up the trap distance and mounting holes with reference from the wall.

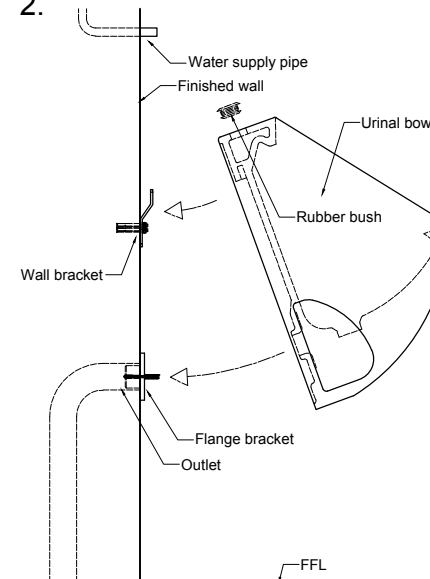
Double check the water inlet height and bracket mounting height which can be found in technical drawing (pg.09) to ensure position fit to the ware.

Cover the flange bracket outlet with white tape to ensure it fits to the outlet pipe firmly.

Mount up expansion screw, flange bracket in position.

Fasten the wall bracket with washers & nuts.

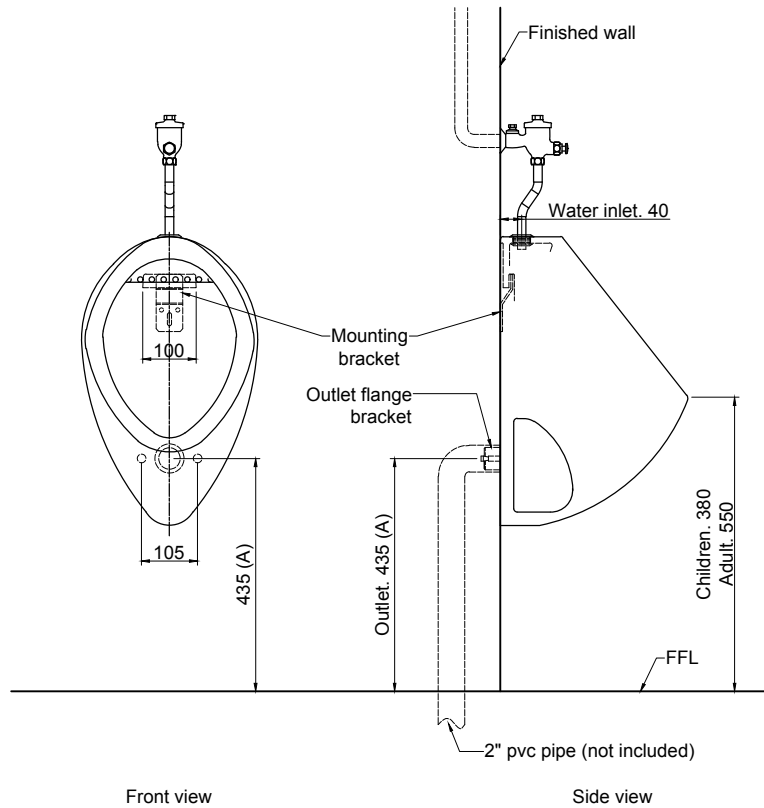
2.



Insert the rubber bush into the ware inlet.

Align the ware with the outlet flange and mount the urinal bowl onto the wall bracket, press it against the wall slowly.

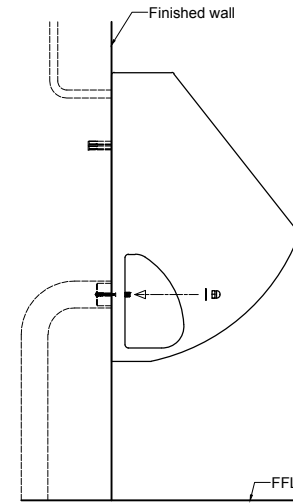
INSTALLATION DIAGRAM - UH03TP



Flush valve mounting height refer to selected flush valve installation diagram.
 (*)Denotes recommended value.
 All dimension are in mm.

INSTALLATION GUIDE - UH03BP

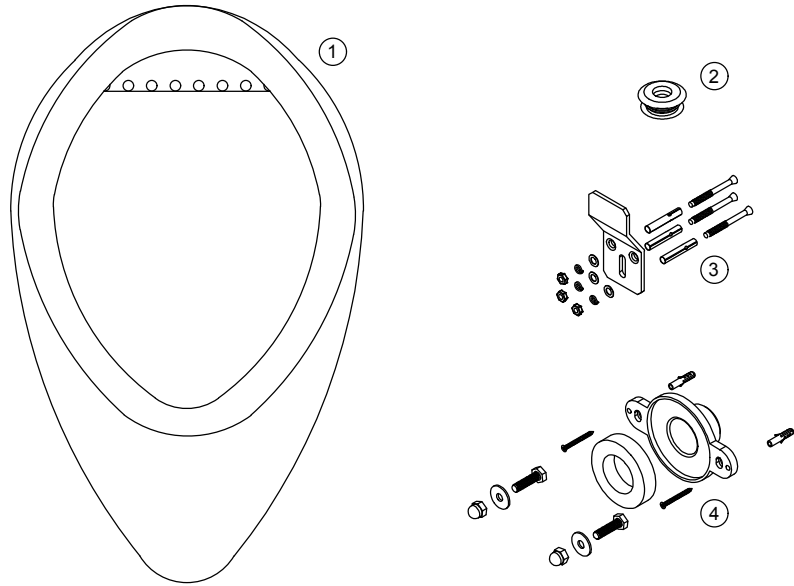
3.



Fastened the ware with washer & nuts.

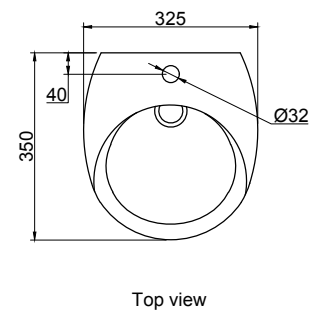
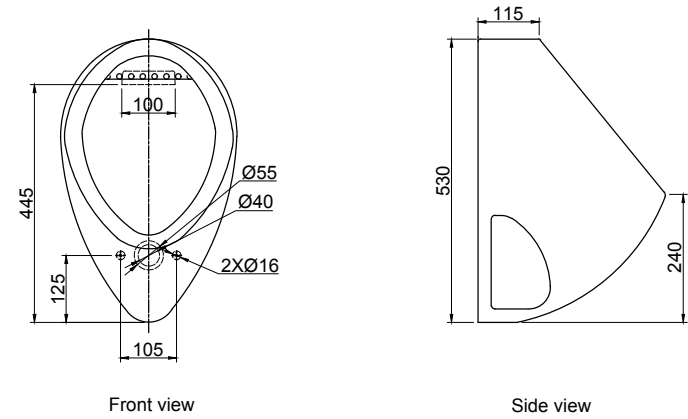
Apply silicone gel along the edges of the pan to seal up all gaps.

PART LIST & ILLUSTRATIONS - UH03TP



NO.	PART NO.	DESCRIPTION	QTY
①	RMR-UH03TP	WALL HUNG URINAL	1
②	FT-BSHUR3018	RUBBER BUSH	1
③	FT-BRK1050	WALL BRACKET	1
④	FT-FLGUH03	FLANGE BRACKET WITH SCREWS SETS	1

PRODUCT DIMENSIONS - UH03TP



All dimensions in mm.