

## Water Closet Concealed Cistern

### PRODUCT FEATURES

- Front operated conceal tank with actuator flush panel
- Dual flush system
- Anti-siphon fill valve
- Impact resistant high density polyethylene tank

### PRODUCT SPECIFICATIONS

- Flush Panel Dimension : 238 (L) x 8 (W) x 150 (H) mm
- Material : ABS/ASA
- Finishing : Matte finish
- Minimum Water Pressure : 50 kPa

### DISCHARGE VOLUME

- WELS Rating : Excellent ✓✓✓
- Full Flush : 3.5 Litre per flush
- Reduced Flush : 2.5 Litre per flush
- Water Saving : 22 %

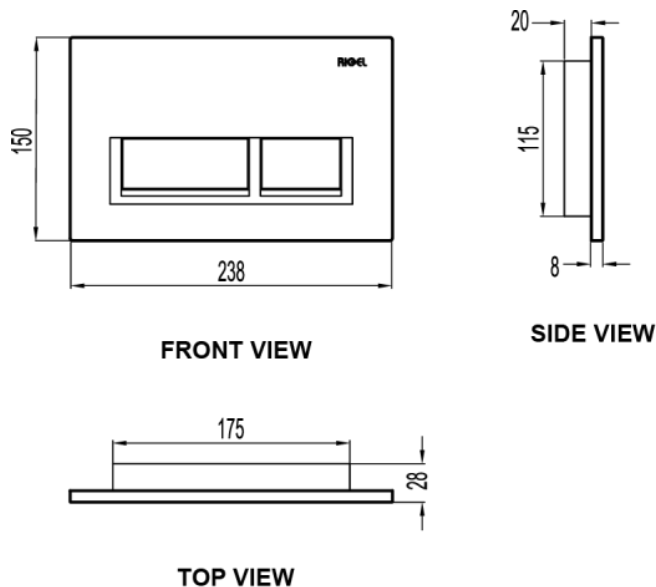


### RESOURCEFUL FEATURES



Dual Flush Mechanism

### TECHNICAL DRAWING



Copyright © Rigel Technology (S) Pte Ltd All rights reserved.

**DISCLAIMER:**

While every effort has been made to ensure factual accuracy, the information presented is subject to changes due to requirements in different sites, markets and/or countries. Rigel reserves the right to make the necessary amendments at any time without prior notice.

