

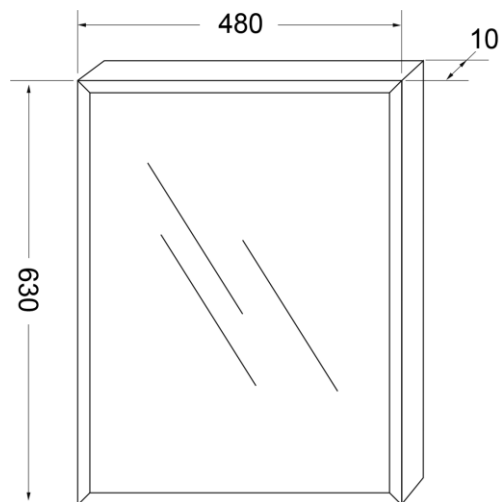
## Framed Mirror

### PRODUCT SPECIFICATIONS

- Dimension : 480 (L) x 10 (W) x 630 (H) mm
- Material : Stainless Steel 304



### TECHNICAL DRAWING



Copyright © Rigel Technology (S) Pte Ltd. All rights reserved. Terms of Use.