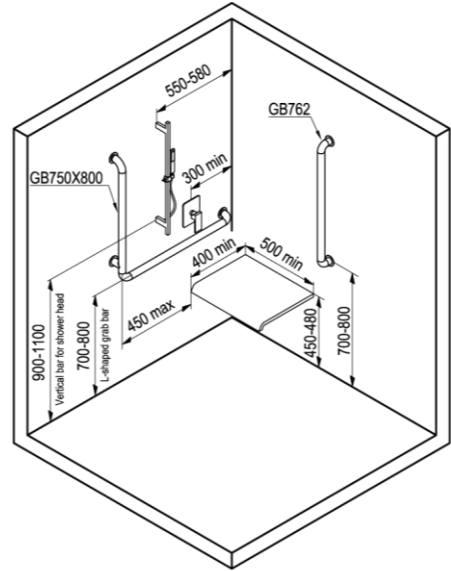


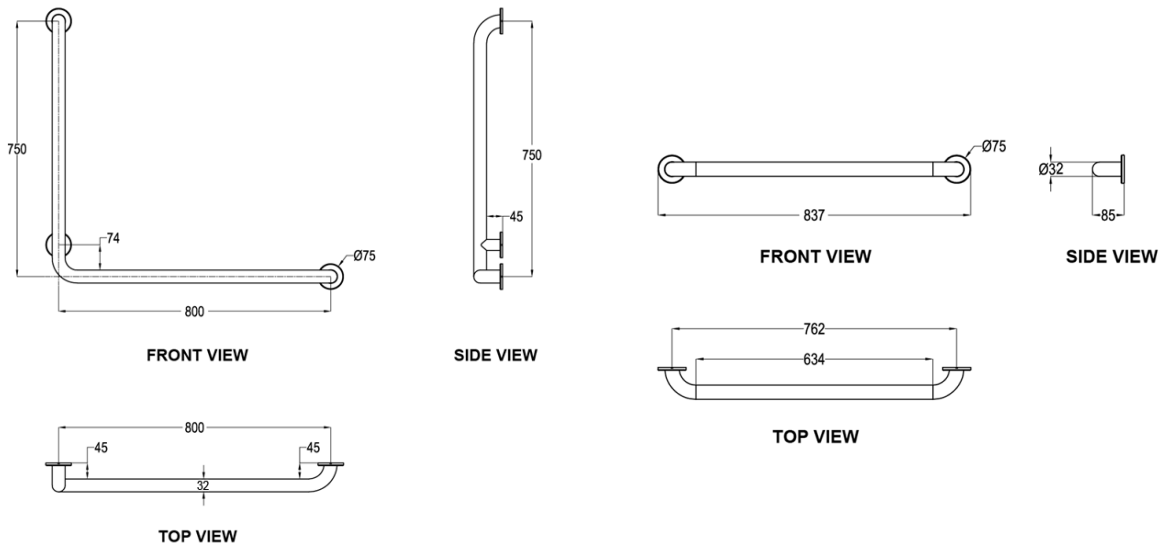
Handicapped Shower Stall Grab Bar

PRODUCT SPECIFICATIONS

- Material : Stainless steel 304
- Loading Force : 1.3kN
- Finishing : Hairline finish
- Consists of : **GB750x800** Roll-in shower stall grab bar
750 x 800 x Ø32mm
- : **GB762** Straight grab bar
762 x Ø32mm



TECHNICAL DRAWING



Copyright © Rigel Technology (S) Pte Ltd All rights reserved. Terms of Use.