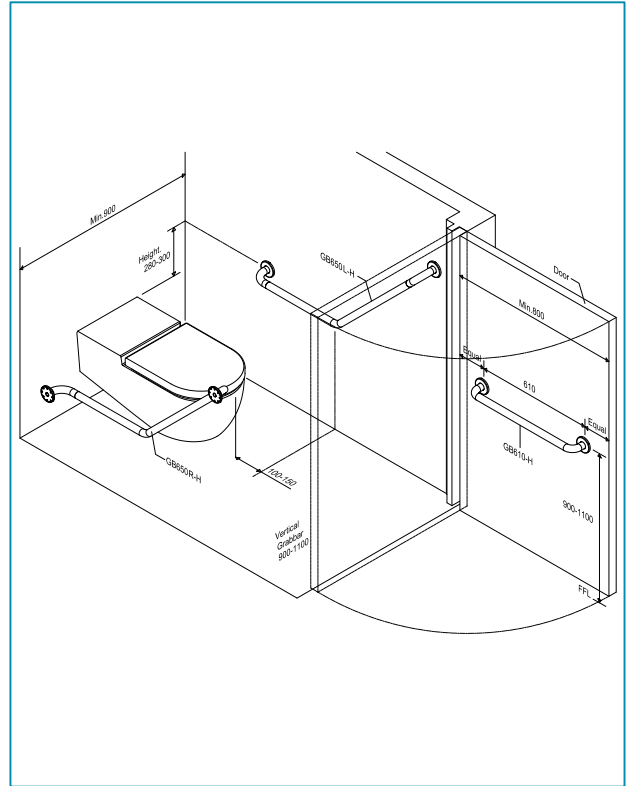


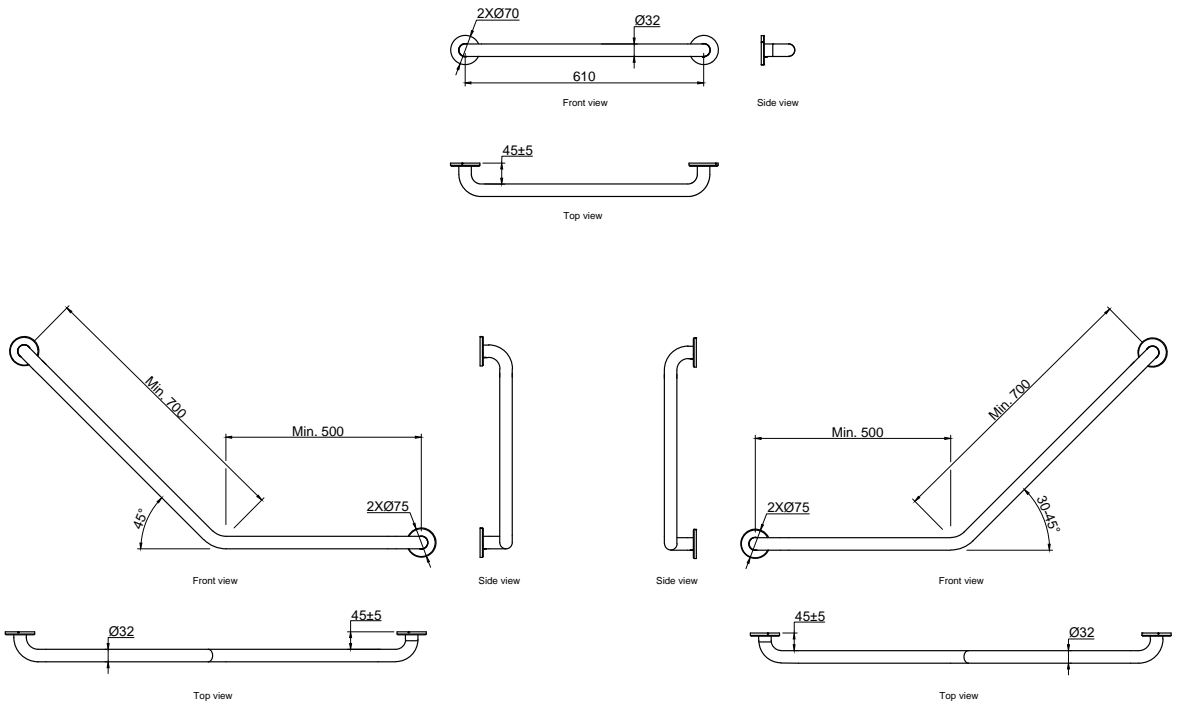
Grab Bar Set for Ambulant Disabled Water Closet

PRODUCT SPECIFICATIONS

- Material : Stainless steel 304
- Finishing : Hairline
- Loading Force : 1.3kN
- Consist of :
 - **1pc - GB610-H**
Straight grab bar
610 x Ø32mm
 - **1pc - GB650L-H**
Ambulant grab bar, left side
700 x 500 x Ø32mm
 - **1pc - GB650R-H**
Ambulant grab bar, right side
700 x 500 x Ø32mm



TECHNICAL DRAWING



All dimension are in mm.

DISCLAIMER : While every effort has been made to ensure factual accuracy, the information presented is subject to changes due to requirements in different sites, markets and / or countries. Rigel reserves the right to make the necessary amendments at any time without prior notice.

Rev : 0.1
Date : 04.05.2021