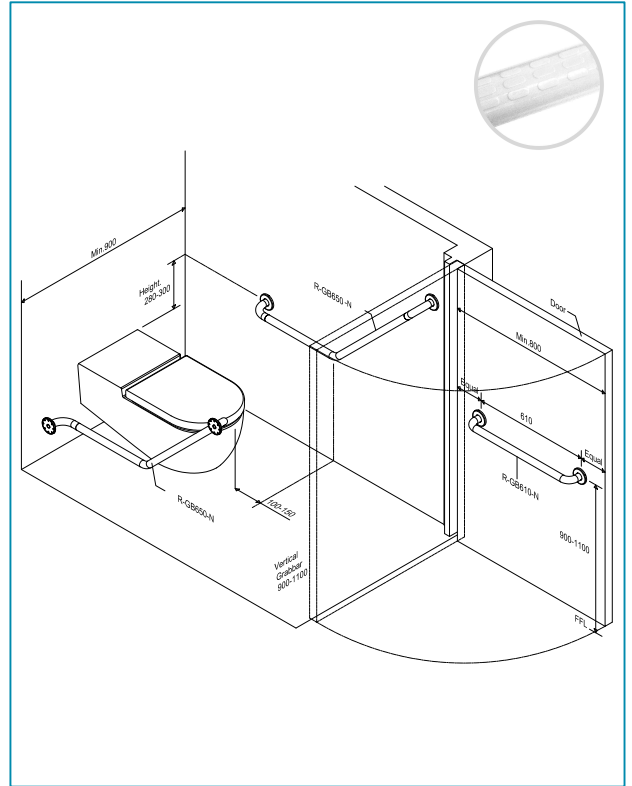


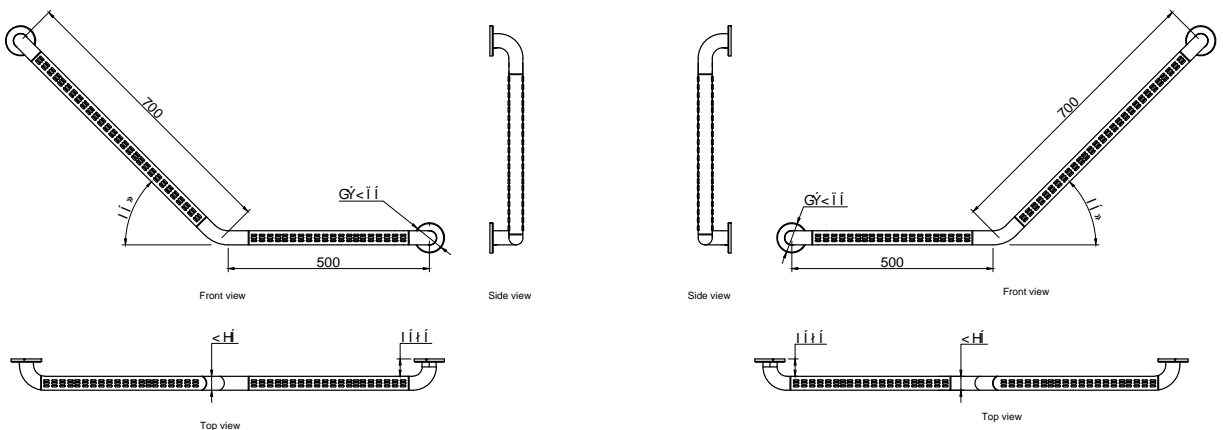
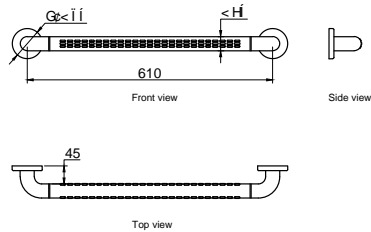
Ambulant Grab Bar Set for Water Closet

PRODUCT SPECIFICATIONS

- Material : Nylon
- Colour : White
- Loading Force : 1.3kN
- Consists of : **1pc - R-GB610-N**
Straight grab bar
610 x Ø35mm
- Consists of : **2pcs - R-GB650-N**
Ambulant grab bar
700 x 00 x Ø35mm



TECHNICAL DRAWING



All dimension are in mm.

DISCLAIMER : While every effort has been made to ensure factual accuracy, the information presented is subject to changes due to requirements in different sites, markets and / or countries. Rigel reserves the right to make the necessary amendments at any time without prior notice.

Rev :
Date : 0.20 20