

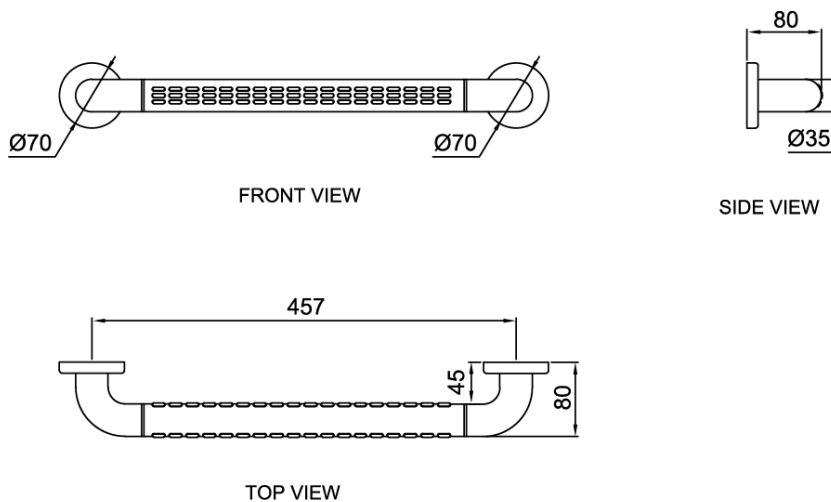
Straight Grab Bar

PRODUCT SPECIFICATIONS

- Material : Nylon Anti-Bacterial
- Loading Force : 1.3kN
- Colour : White
- Dimension : 457 x 80 x Ø35mm



TECHNICAL DRAWING



Copyright © Rigel Technology (S) Pte Ltd. All rights reserved. Terms of Use.