

Product Features

- Adjustable water temperature
- Easy grip wide handle
- Smooth rotation handle temperature knob
- Easy pull water diverter
- High corrosion & rust resistant
- Easy installation & maintenance

Product Specifications

- Installation type : Wall mounted
- Dimension : 231(L) x 162(W) x 130(H)mm
- Material : Brass
- Finishing : Chrome



Model Code

MXTE8702D

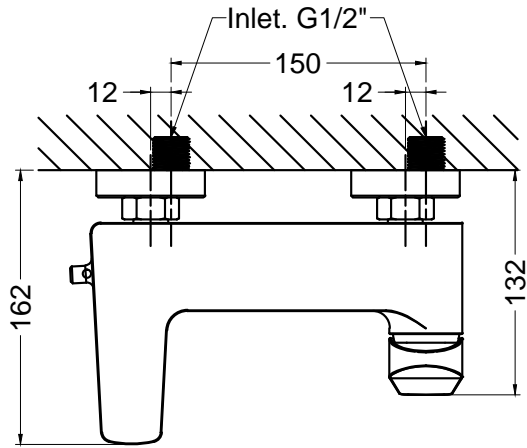
Code	WELS	Water flow rate (l/min)	WELS registration no.	Registration country
W3-R-	✓✓✓	Nominal 5.0	<ul style="list-style-type: none"> • MXTE8702D : SHT-2020/030635/SLS • MXTE8702D-BM : SHT-2020/030637/SLS • MXTE8702D-BZ : SHT-2020/030639/SLS • MXTE8702D-BZP : SHT-2020/030641/SLS • MXTE8702D-GP : SHT-2020/030709/SLS • MXTE8702D-GM : SHT-2020/030707/SLS • MXTE8702D-RG : SHT-2020/030711/SLS • MXTE8702D-RGP : SHT-2020/030713/SLS 	SG
W2-R-	✓✓	Nominal 5.5	<ul style="list-style-type: none"> • MXTE8702D : SHT-2020/030634/SLS • MXTE8702D-BM : SHT-2020/030636/SLS • MXTE8702D-BZ : SHT-2020/030638/SLS • MXTE8702D-BZP : SHT-2020/030640/SLS • MXTE8702D-GP : SHT-2020/030708/SLS • MXTE8702D-GM : SHT-2020/030706/SLS • MXTE8702D-RG : SHT-2020/030710/SLS • MXTE8702D-RGP : SHT-2020/030712/SLS 	SG
RL-	N.A	5 - 8 configurable	N.A	N.A

Code	Available Colour & Finishes
(NIL)	Chrome
-BM	Black Matte
-BZ	Bronze Matte
-BZP	Bronze Polished
-GP	Gold Polished
-GM	Gold Matte
-RG	Rose Gold Matte
-RGP	Rose Gold Polished

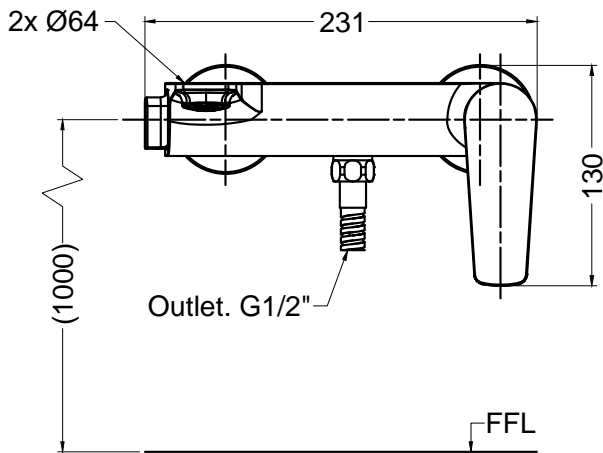
Rev	0.1
Date	04.01.2021

DISCLAIMER : While every effort has been made to ensure factual accuracy, the information presented is subject to changes due to requirements in different sites, markets and / or countries. Rigel reserves the right to make the necessary amendments at any time without prior notice.

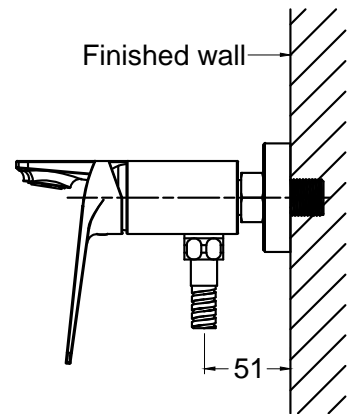
Technical Drawing



Top view



Front view



Side view

() Denotes recommended value.
All dimension are in mm.

Copyright © Rigel Technology (S) Pte Ltd All rights reserved.

Rev	0.1
Date	04.01.2021

DISCLAIMER : While every effort has been made to ensure factual accuracy, the information presented is subject to changes due to requirements in different sites, markets and / or countries. Rigel reserves the right to make the necessary amendments at any time without prior notice.