

Squat Pan with Foot Rest

PRODUCT FEATURES

- Rear flush connectivity suitable for wall-in water piping
- Adaptable to various environment configuration
- Excellent flushing efficient that meet international standard

FLUSHING TYPE

- Wash down

PRODUCT SPECIFICATIONS

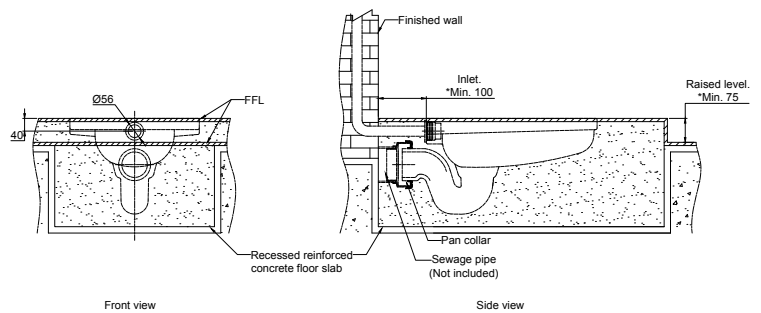
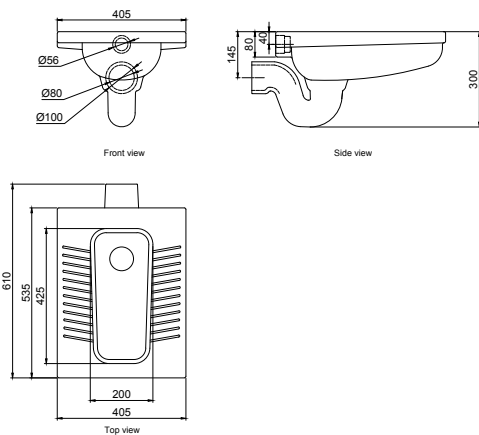
- Dimension : 610(L) x 405(W) x 300(H) mm
- Rough-in : P-Trap 145mm
- Inlet : Back Inlet
- Material : Vitreous China
- Trap Seal : 50mm minimum
- Minimum Water Pressure : 135 kPa



TECHNICAL DRAWING

INSTALLATION DETAILS

Copyright © Rigel Technology. (S) Pte Ltd All rights reserved



(*)Denotes recommended value.
All dimension are in mm.