

Self-Closing Tap

PRODUCT FEATURES

- Consistent 5 to 7sec cut-off mechanism after released
- Chrome finishing solid brass body for longer lasting
- High resistance against vandalism
- Non-affected by the water pressure supplied

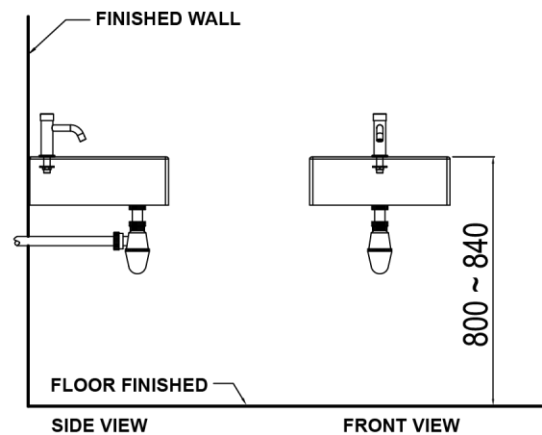
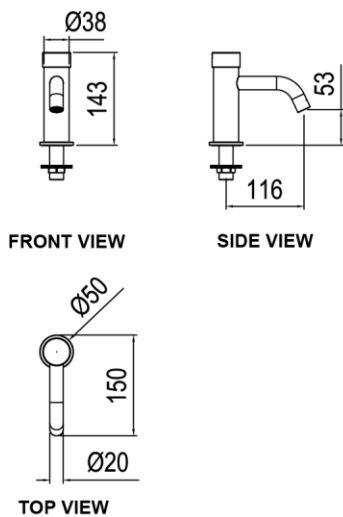
PRODUCT SPECIFICATIONS

- Installation type : Deck mounted
- Dimension : 150 (L) x Ø50 (W) x 143 (H) mm
- Material : Brass
- Finishing : Chrome
- Water flow rate : Nominal 2.0Litres/ min



TECHNICAL DRAWING

INSTALLATION DETAILS



*All dimensions are in mm

Rev	0.2
Date	17.06.2022

Copyright © Rigel Technology (S) Pte Ltd All rights reserved. Terms of Use.