

Squat Pan

Product Features

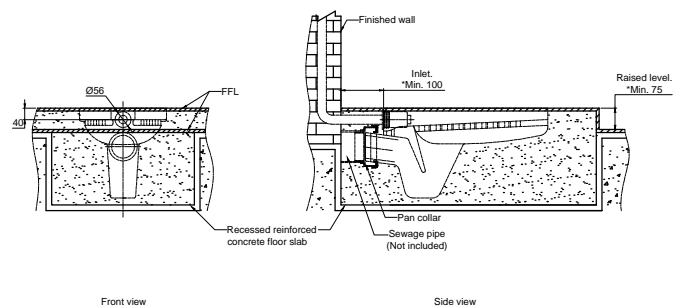
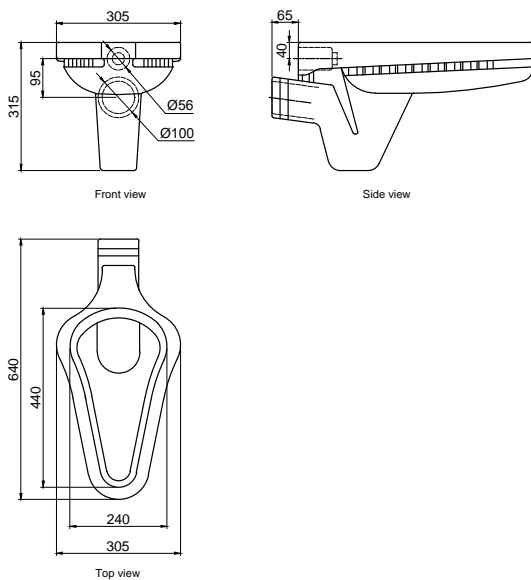
- Excellent flushing efficiency in accordance to international standard
- Ergonomically shape squat pan to yield user more room for adjustment and preventing slippage on ceramic
- Minimal-design with smooth internal curvature to aid in easy flushing

Product Specification

- Dimension : 640(L) x 305(W) x 315(H)mm
- Material : Vitreous China
- Flushing type : Wash down
- Water inlet : Back
- Trap seal : Min. 50mm



Technical Drawing



(*)Denotes recommended value.
All dimension are in mm.

Copyright © Rigel Technology. (S) Pte Ltd All rights reserved.

Rev	1.0
Date	21.09.2021

DISCLAIMER : While every effort has been made to ensure factual accuracy, the information presented is subject to changes due to requirements in different sites, markets and / or countries. Rigel reserves the right to make the necessary amendments at any time without prior notice.