

## Shower Mixer, Concealed

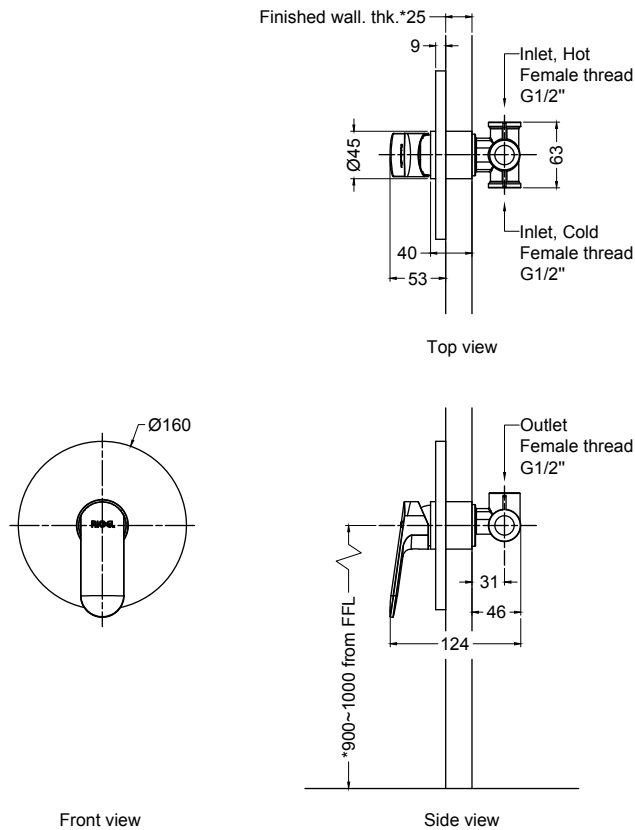
### PRODUCT SPECIFICATIONS

- Dimensions : 124(L) x 63(W) x Ø160(H)mm
- Material : Brass
- Finishing : Chrome



### TECHNICAL DRAWING

Copyright © Rigel Technology (S) Pte Ltd All rights reserved.



(\*Denotes recommended value.  
All dimension are in mm.

Front view

Side view

**DISCLAIMER** : While every effort has been made to ensure factual accuracy, the information presented is subject to changes due to requirements in different sites, markets and / or countries. Rigel reserves the right to make the necessary amendments at any time without prior notice.

Rev : 0.1  
Date : 21.02.2020