

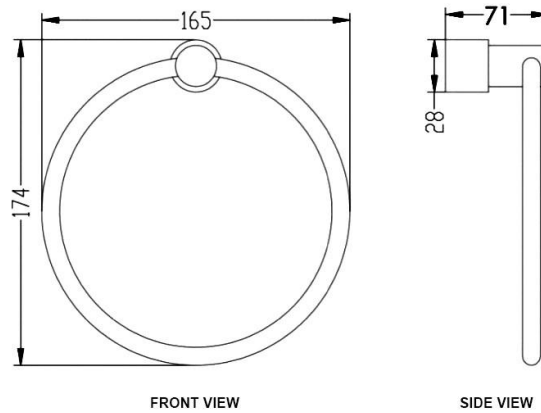
Towel Ring

PRODUCT SPECIFICATIONS

- Dimension : 165 (L) x 71 (W) x 174 (H) mm
- Material : Brass
- Finishing : Chrome



TECHNICAL DRAWING



All dimension are in mm.

DISCLAIMER : While every effort has been made to ensure factual accuracy, the information presented is subject to changes due to requirements in different sites, markets and / or countries. Rigel reserves the right to make the necessary amendments at any time without prior notice.

Rev : 0.1
Date : 30.10.2020