

Deck Mounted Lever Handle Sink Tap

PRODUCT SPECIFICATIONS

- Dimension : 80 (L) x 335 (H) mm
- Material : Brass Chrome

WATER CONSUMPTION

- WELS Rating : Excellent ✓✓✓
- Water Flow Rate : 4.0L/minute
- Water Saving : 55%

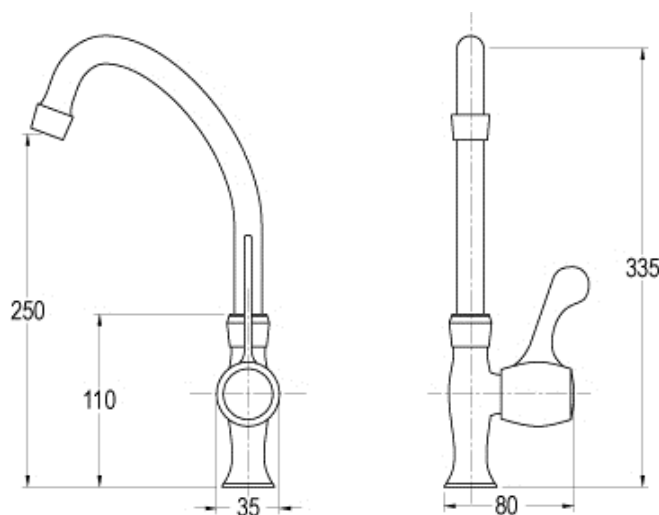


RESOURCEFUL FEATURE:



Constant Flow
Regulator

TECHNICAL DRAWING



Copyright © Rigel Technology (S) Pte Ltd. All rights reserved. Terms of Use.