

Sensor Tap

Product Features

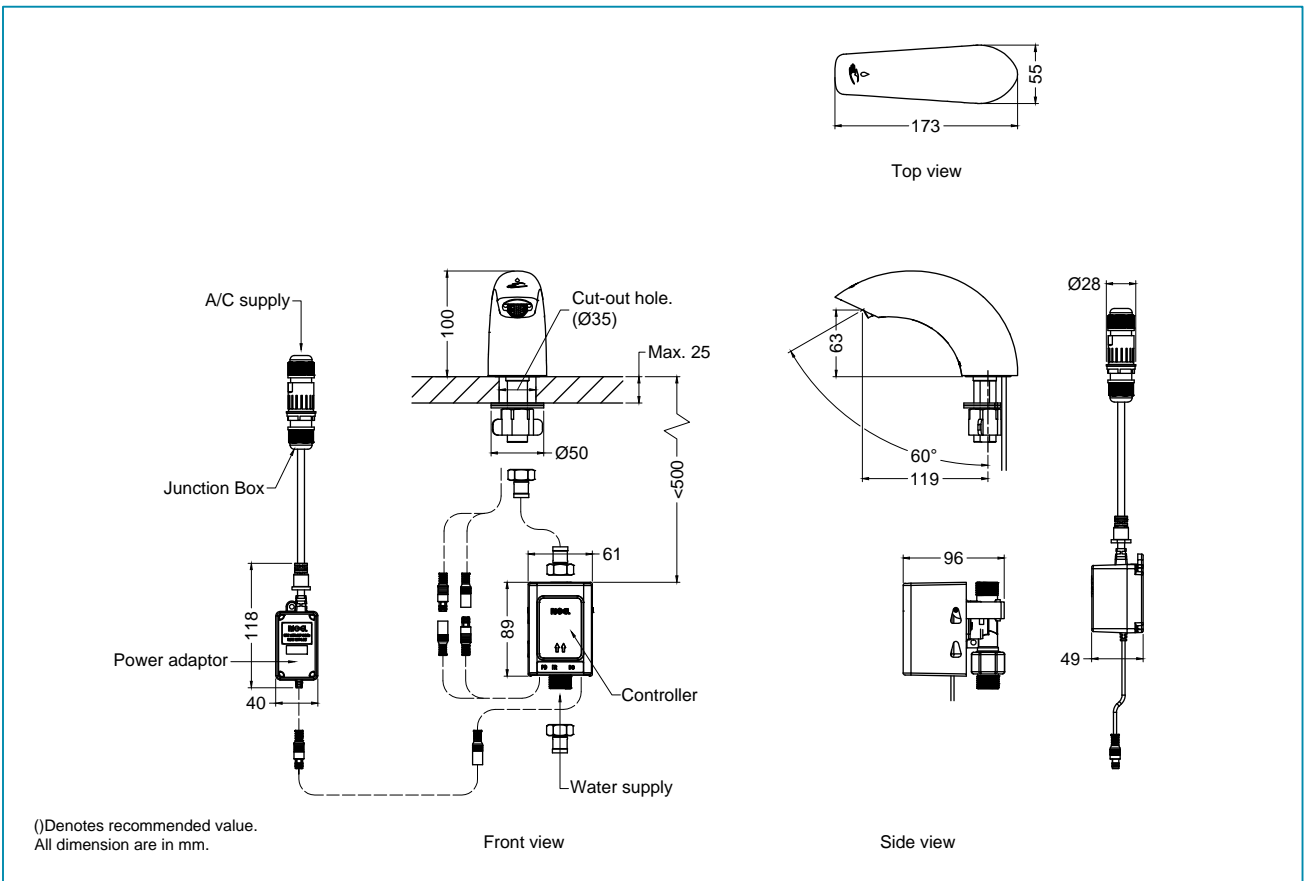
- Touch-free operation for optimum personal hygiene
- Sensor placement at water outlet increases sensitivity and accuracy
- Water conservation and reduced splashing by using aerated water flow
- High corrosion & rust resistant
- Easy-to-clean spout body

Product Specification

- Installation type : Deck mounted
- Dimension (faucet) : 173(L) x 55(W) x 100(H)mm
- Material (faucet) : Brass
- Finishing (faucet) : Chrome
- Power input : 220-240Vac 50/60Hz
- Sensing distance : 100mm (default)
- Automatic cut-off time : 60 seconds (default)
- Water inlet size : G1/2"
- Operating water pressure : 1.5 – 5 bars (dynamic)
- Water flow rate : Nominal 2.0 litres/ min
- Water stream : Aerated



Technical Drawing



Copyright © Rigel Technology. (S) Pte Ltd All rights reserved.

Rev	0.2
Date	26.04.2021

DISCLAIMER : While every effort has been made to ensure factual accuracy, the information presented is subject to changes due to requirements in different sites, markets and / or countries. Rigel reserves the right to make the necessary amendments at any time without prior notice.